

» ZYSZ Linear Vibrating Screen



Description

This series machines use excellent vibrant motor as power source, so that the materials can be thrown up on the sieve and forward to make a straight movement. It can be equipped with single or multi-screen to achieve the grading, removing impurity, removing dust, testing, washing selecting, dehydration etc.



Applied Field

It is widely used in grinding materials, chemical, construction, chemicals, pharmacy, metallurgy, ceramics, fertilizers, coal industry to screening and grading the granular and powder bulk materials.

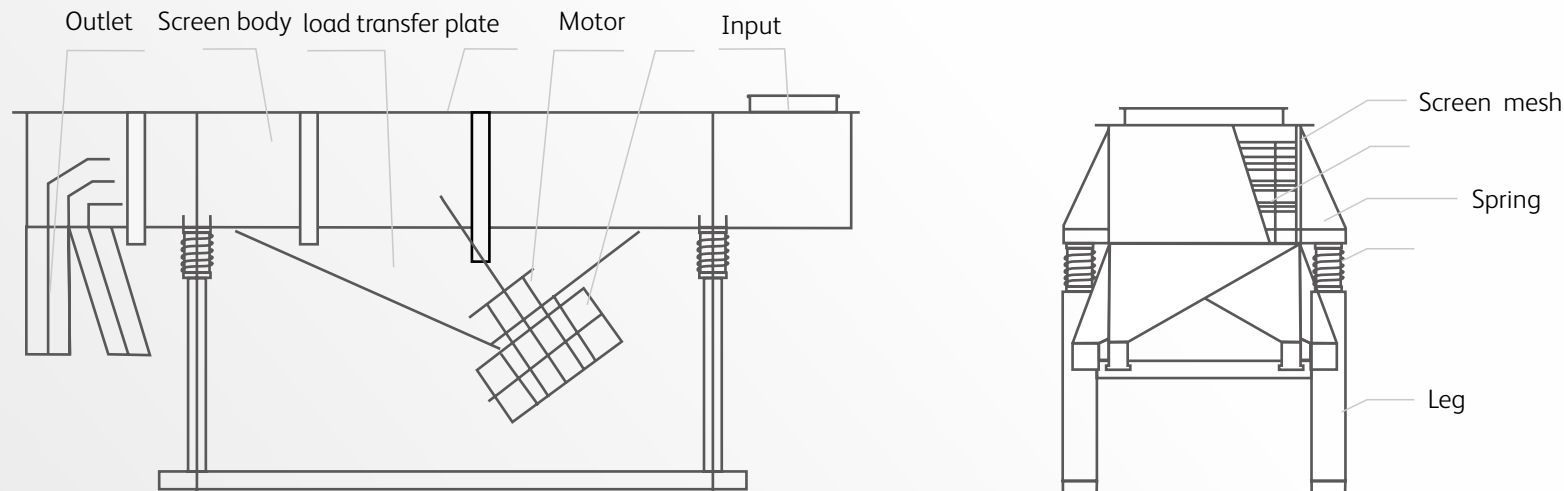
Custom Design



Feature

1. **High sieving efficiency**, high utilization ratio of screen, with bouncing balls set under the screen which eliminates mesh blockage, increasing precision of sieving.
2. **Continuous working**.
3. **Fully enclosed structure avoids** dust overflow, reaching the request of sanitation.
4. **Rubber springs** may be used on customers' requests, which would considerably reduce running noise, improving labors' working environment.
5. Simple and rational tensioning mode of screen, **easy to replace**.
6. The screen frame may be replaced as per different mesh numbers, **saving running cost**.

Drawing picture



Technical Parameter

Model	Screen Specification (mm)	Layer	Mesh Size(mm)	Particle Size(mm)	Vibrating Frequency (r/min)	Double Amplitude (mm)	Power (KW)	Vibrating Direction Angle (°)
ZYSZ525	500×2500	1--6	0.074-10	0.06-15	960, 1450	4--8	2×0.4, 2×0.75	45-60
ZYSZ1020	1000×2000	1--6	0.074-10	0.07-20	960	4--8	2×0.75, 2×1.5	45-60
ZYSZ1025	1000×2500	1--6	0.074-10	0.07-15	9,601,450	5--8	2×0.4, 2×0.75	45-60
ZYSZ830	800×3000	1--6	0.074-10	0.1-20	960	6--8	2×0.75, 2×1.5	45-60
ZYSZ1030	1000×3000	1--6	0.074-10	0.1-20	960	6--8	2×0.75, 2×1.5	45-60
ZYSZ1224	1200×2400	1--3	0.074-10	0.1-23	960	6--8	2×0.75, 2×1.5	45-60
ZYSZ1230	1200×3000	1--3	0.074-10	0.1-23	960	6--8	2×1.5	45-60