

www.vibratingscreenchina.com

www.cnzymachinery.com

www.chinavibratingsieve.com



ZHENYING MECHANICAL
Screening · Filter Expert since 1990



ZHENYING MECHANICAL

XINXIANG ZHENYING MECHANICAL EQUIPMENT CO.,LTD.

Address:NO.1789, South of xinfei road, Xinxiang city,Henan Province, China 453000

Tel: +86 373 3532216

Fax:+86 373 3532117

Mob:+86 159 9306 5963

E-mail:admin@cnzymachinery.com.cn info@chinavibratingsieve.com

Edition:The first edition of 2016

XINXIANG ZHENYING MECHANICAL EQUIPMENT CO.,LTD.

ABOUT ZHENYING



Company Profile

Zhenying Machinery integrates four different product lines to offer the industry's broadest range of screening equipment, conveying equipment, feeding equipment crushing equipment for wet, dry or particles based material.

Our mission and business philosophy is to provide high quality products at reasonable prices, widely used in food powder, pharmaceuticals, chemical, metallurgy, grinding, material, plastic, ceramics, coating and mining industry.

Zhenying machinery's excellent quality have many well-known by domestic and foreign clients of the trust. Our products have won not only reputation in China but also applause by foreign market like Asia (Indonesian, Malaysia, Thailand, Vietnam, Singapore, India, Sri Lanka, Bangladesh, Korea, etc) European (Finland, Russia, Poland, Czech Republic, Switzerland, England, Netherlands, etc) America(US, Canada, Guatemala, Brazil, Chile, Peru, Argentina, etc) Africa(Egypt, Kenya, Ghana,

Zambia, etc) Oceanica (Australia, New Zealand) and 57 countries so on.

So far we have achieved many credits and authentications. There are as follow: CE certificate, ISO9001:2008 certificate, and many of our products have achieved Patent. There are 208 patent from our products and our patent are divided into the Utility Model Patent and Invention Patent. What's more, we are Xinxiang fine powder of complete sets of equipment engineering technology research center, New High-tech enterprise, Excellent E-commerce enterprise in Henan Province.

Success belong to the one who are persistent and hard-working. Zhenying in Chinese works means flying eagle, which will fly far and far in the sky of world machinery sky.

Company Team





ZYD Vibrating Screen
1/2



ZYC Ultrasonic Vibrating Screen
3/4



ZYY Tumbler Vibrating Screen
13/14/15



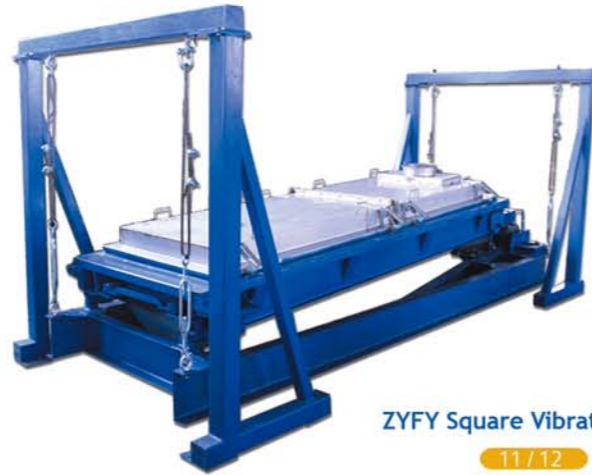
ZY 450 Vibrating Screen
22



Magnetic Liquid Traps
23



ZYDP Multi Frequency Vibrating Screen
5/6



ZIFY Square Vibrating Sieve
11/12



ZYQW Horizontal Airflow Screen
20



ZDP Vibrating Table
27



ZY-200 Lab Testing Sieve
21



Pneumatic Vibrating Screen
8



ZYSZ Linear Vibrating Screen
9/10



ZYZ Intermediate Frequency Vibrating Screen
16



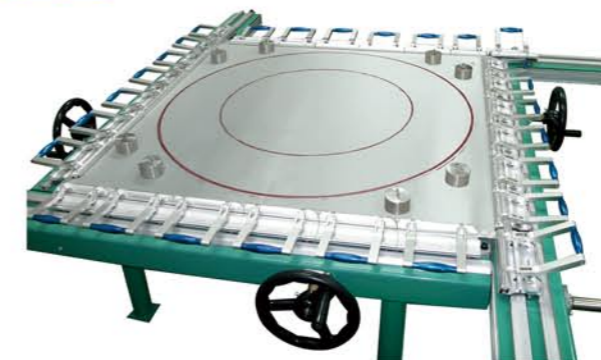
ZYJ Larger Entrance Vibrating Screen
17/18



ZYZP Direct Discharging Screen
19



ZJS Pro-environment Vibrating Sieve
7



Stretch Mesh Machine
25/26



Magnetic Drawer
24



DY Portable Belt Conveyor

28



Screw Conveyor

30



Bucket Elevators

31



GZ(V) Electro magnetic vibrating feeder

35



Z-shape conveyor

29



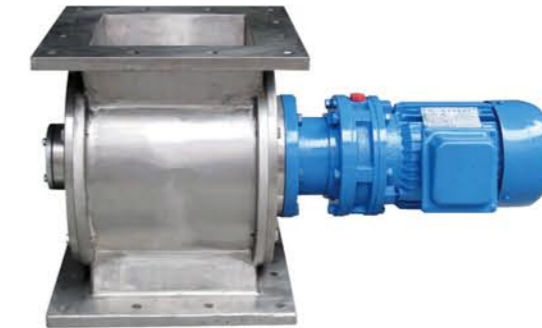
Stretch Mesh Machine

33/34



Horizontal Mixer

39



Rotary Vane Feeder

37



ZG Vibrating Feeder

36



ZCS series Spiral vertical vibration hoist

32



Double-Spiral Conical Mixer

38



WN Grinder

40



Z Type Bucket Elevator


41



DCS-25 Quantitative Packing Machine

42


Company Certificate



营业执照

(副本) 社会信用代码 91410700680763940Q (1-1)

名称	新乡市振英机械设备有限公司
类型	有限责任公司(自然人投资或控股)
住所	新乡市新飞大道南段1789号高新区火炬园综合研发楼北区IV (G-L) (22_24)
法定代表人	秦英
注册资本	壹仟零柒万圆整
成立日期	2008年10月07日
营业期限	2008年10月07日至2036年10月06日
经营范围	机械制造、机械设备销售、货物和技术进出口业务(国家法律法规规定应经审批方可经营或禁止进出口的货物和技术除外)。(以上经营范围中凡涉及专项许可的项目凭许可证和相关文件经营)。(依法须经批准的项目,经相关部门批准后方可开展经营活动)



登记机关



2015年6月1日



Company Certificate

TC

CHINA UNITED CERTIFICATION CENTER
CERTIFICATE OF CONFORMITY OF
**QUALITY MANAGEMENT SYSTEM
CERTIFICATION**

Certificate No.: 01417Q1005SR2M
This is to certify that the quality system of
**XINXIANG ZHENYING MECHANICAL
EQUIPMENT CO., LTD.**
Henping Technology, Jinghe Road, Xiaonan Industrial Zone, Xinming City, Henan Province;
(Registration Address: North Of Comprehensive R&D Building (G-L) (22-24), Torch Park,
High-tech Zone, No.1789, South Of Xinfu Road, Xinxiang City, Henan Province),
The People's Republic of China, ZIP: 453100
(Unified Social Credit Code or Organization Code: 91410700680763949Q)
is in conformity with
GB/T19001-2008/ISO9001:2008
This certificate is valid to the following products/service:
Production And Service Of Vibrating Screen, Conveyor, Crusher, Feeder And Parts
Date of issue: 2017-02-17 **Date of expiry: 2020-02-16**
(This certificate should be completed in standard transformation before September 19, 2019).
It is valid within the scope of validity of all the administrative and qualification registered in accordance with the regulation of P.R.C.
The organization certified must accept the surveillance audit on time during the period of validity of the certificate.
The certificate does not keep effective and valid for the convenience of the user.
The certificate information can be found at the official website of CNCA. (www.cnca.gov.cn)

Fu zhi jian
Representative of CUC

地址: 北京市海淀区西体南路2号 邮编: 100044
Address: No.2 Capital Gymnasium South Road Haidian Beijing 100044, China

ISET S.r.l.

Via Donatori di Sangue, 9 - 40024 Moglia (MO)
Tel. +39 052176 59863
Fax +39 052176 59863
www.iset.it

Cap. soc. i.e. € 10.200,00
Cod. Fisc. n° P. IVA 02 222 770 269
Reg. Imprese 02 222 770 269
REA 094 0221036

CERTIFICATE OF COMPLIANCE
Certificado de Conformidade - Сертификат соответствия - Konformitätserklärung

1) **APPLICANT:**
Xinxiang Zhenying Mechanical Equipment Co., Ltd
No. 1789, South of Xinfu Road, Xinxiang, Henan

2) **CERTIFICATE NO.:**
IT081358ZY161114S

3) **WITH REFERENCE TO EC DIRECTIVE APPLIED:**
Machinery Directive 2006/42/EC

4) **CERTIFICATION ISET MARK:**

HARMONIZED STANDARDS APPLIED:
EN ISO 12100:2010,
EN 60204-1:2006/AC:2010

5) **PRODUCT CHARACTERISTICS:** Vibrating Screen
MODEL(S): ZYD,ZYC,ZYJ,ZV,ZYG,ZYV,ZY450,ZY200,ZYP,ZYQW,ZYS,ZYFY,ZYDP,ZOS

REMARK: The verification has been carried out on voluntary application of the manufacturer based only on the documents prepared and provided by the manufacturer itself. The manufacturer is responsible to maintain the internal production control to ensure the compliance of the product. ISET declines any liability with reference to any other noncompliance of documents, product or test report that have been submitted to evaluation. However marking and EC declaration are duties of the manufacturer before putting into service of its products on market. The manufacturer is liable to take all the necessary actions required by the applicable directives and procedures.

6) **DATE OF ISSUE:** 14/11/2016 **DATE OF EXPIRE:** 13/11/2021

CERTIFICATION MANAGER: [Signature] **ISET S.R.L.**

证书号第 2368489 号

发明专利证书

发明名称: 一种驱动电机移位的固定装置

发明人: 秦英; 田辉; 孙志军

专利号: ZL 2015 1 0024447.9

专利申请日: 2016年06月15日

专利权人: 新乡市振英机械设备有限公司

授权公告日: 2017年02月01日

本发明专利经过本局依照中华人民共和国专利法进行初步审查, 决定授予专利权, 颁发本证书并在专利登记簿上予以登记, 专利权自授权公告之日起生效。
本专利的专利权期限为二十年, 自申请日起算, 专利权人应当依照专利法及其实施细则规定缴纳年费, 本专利的年费应当在每年06月15日前缴纳, 未按照规定缴纳年费的, 专利权自应当缴纳年费期满之日起终止。
专利证书记载专利登记时的法律状况, 专利权的转移、质押、无效、终止、恢复和专利权人的姓名或名称、国籍、地址变更等事项记载在专利登记簿上。

局长 申长雨 [Signature] [Red Seal]

第 1 页 (共 1 页)

证书号第 5276584 号

实用新型专利证书

实用新型名称: 一种多幅振动筛

发明人: 秦英; 苏子超

专利号: ZL 2016 2 0002043.8

专利申请日: 2016年01月04日

专利权人: 新乡市振英机械设备有限公司

授权公告日: 2016年06月08日

本实用新型经过本局依照中华人民共和国专利法进行初步审查, 决定授予专利权, 颁发本证书并在专利登记簿上予以登记, 专利权自授权公告之日起生效。
本专利的专利权期限为十年, 自申请日起算, 专利权人应当依照专利法及其实施细则规定缴纳年费, 本专利的年费应当在每年01月24日前缴纳, 未按照规定缴纳年费的, 专利权自应当缴纳年费期满之日起终止。
专利证书记载专利登记时的法律状况, 专利权的转移、质押、无效、终止、恢复和专利权人的姓名或名称、国籍、地址变更等事项记载在专利登记簿上。

局长 申长雨 [Signature] [Red Seal]

第 1 页 (共 1 页)

ISET S.r.l.

Via Donatori di Sangue, 9 - 40024 Moglia (MO)
Tel. +39 052176 59863
Fax +39 052176 59863
www.iset.it

Cap. soc. i.e. € 10.200,00
Cod. Fisc. n° P. IVA 02 222 770 269
Reg. Imprese 02 222 770 269
REA 094 0221036

CERTIFICATE OF COMPLIANCE
Certificado de Conformidade - Сертификат соответствия - Konformitätserklärung

1) **APPLICANT:**
Xinxiang Zhenying Mechanical Equipment Co., Ltd
No. 1789, South of Xinfu Road, Xinxiang, Henan

2) **CERTIFICATE NO.:**
IT011704ZY160421

3) **WITH REFERENCE TO EC DIRECTIVE APPLIED:**
Machinery Directive 2006/42/EC

4) **CERTIFICATION ISET MARK:**

HARMONIZED STANDARDS APPLIED:
EN ISO 12100:2010,
EN 602002-A1:2010,
EN ISO 13849-1:2008,
EN 60204-1:2006/AC:2010

5) **PRODUCT CHARACTERISTICS:** Belt Conveyor
MODEL(S): TD 75, DY, DT II, DJ

REMARK: CE marking and EC declaration are duties of the manufacturer before the putting into service of its product on market. The verification has been carried out on voluntary application of the manufacturer based only on the documents prepared and provided by the manufacturer itself. The manufacturer is responsible to maintain the internal production control to ensure the compliance of the product. ISET declines any liability with reference to any other document, product or test report that hasn't been submitted to evaluation.

6) **DATE OF ISSUE:** 21/04/2016 **DATE OF EXPIRE:** 20/04/2021

CERTIFICATION MANAGER: [Signature] **ISET S.R.L.**

ISET S.r.l.

Via Donatori di Sangue, 9 - 40024 Moglia (MO)
Tel. +39 052176 59863
Fax +39 052176 59863
www.iset.it

Cap. soc. i.e. € 10.200,00
Cod. Fisc. n° P. IVA 02 222 770 269
Reg. Imprese 02 222 770 269
REA 094 0221036

CERTIFICATE OF COMPLIANCE
Certificado de Conformidade - Сертификат соответствия - Konformitätserklärung

1) **APPLICANT:**
Xinxiang Zhenying Mechanical Equipment Co., Ltd
No. 1789, South of Xinfu Road, Xinxiang, Henan

2) **CERTIFICATE NO.:**
IT021704ZY160421

3) **WITH REFERENCE TO EC DIRECTIVE APPLIED:**
Machinery Directive 2006/42/EC

4) **CERTIFICATION ISET MARK:**

HARMONIZED STANDARDS APPLIED:
EN ISO 12100:2010,
EN 620:2002-A1:2010,
EN ISO 13849-1:2008,
EN 60204-1:2006/AC:2010

5) **PRODUCT CHARACTERISTICS:** Air Supported Belt Conveyor
MODEL(S): QD

REMARK: CE marking and EC declaration are duties of the manufacturer before the putting into service of its product on market. The verification has been carried out on voluntary application of the manufacturer based only on the documents prepared and provided by the manufacturer itself. The manufacturer is responsible to maintain the internal production control to ensure the compliance of the product. ISET declines any liability with reference to any other document, product or test report that hasn't been submitted to evaluation.

6) **DATE OF ISSUE:** 21/04/2016 **DATE OF EXPIRE:** 20/04/2021

CERTIFICATION MANAGER: [Signature] **ISET S.R.L.**

证书号第 4729017 号

实用新型专利证书

实用新型名称: 一种超声波后龙振动筛

发明人: 秦英; 田辉; 孙志军

专利号: ZL 2015 2 0410587.3

专利申请日: 2015年06月15日

专利权人: 新乡市振英机械设备有限公司

授权公告日: 2015年11月11日

本实用新型经过本局依照中华人民共和国专利法进行初步审查, 决定授予专利权, 颁发本证书并在专利登记簿上予以登记, 专利权自授权公告之日起生效。
本专利的专利权期限为十年, 自申请日起算, 专利权人应当依照专利法及其实施细则规定缴纳年费, 本专利的年费应当在每年06月15日前缴纳, 未按照规定缴纳年费的, 专利权自应当缴纳年费期满之日起终止。
专利证书记载专利登记时的法律状况, 专利权的转移、质押、无效、终止、恢复和专利权人的姓名或名称、国籍、地址变更等事项记载在专利登记簿上。

局长 申长雨 [Signature] [Red Seal]

第 1 页 (共 1 页)

证书号第 4737349 号

实用新型专利证书

实用新型名称: 一种振动筛气帘保护装置

发明人: 秦英; 田辉; 孙志军

专利号: ZL 2015 2 0435857.6

专利申请日: 2015年06月24日

专利权人: 新乡市振英机械设备有限公司

授权公告日: 2015年11月11日

本实用新型经过本局依照中华人民共和国专利法进行初步审查, 决定授予专利权, 颁发本证书并在专利登记簿上予以登记, 专利权自授权公告之日起生效。
本专利的专利权期限为十年, 自申请日起算, 专利权人应当依照专利法及其实施细则规定缴纳年费, 本专利的年费应当在每年06月24日前缴纳, 未按照规定缴纳年费的, 专利权自应当缴纳年费期满之日起终止。
专利证书记载专利登记时的法律状况, 专利权的转移、质押、无效、终止、恢复和专利权人的姓名或名称、国籍、地址变更等事项记载在专利登记簿上。

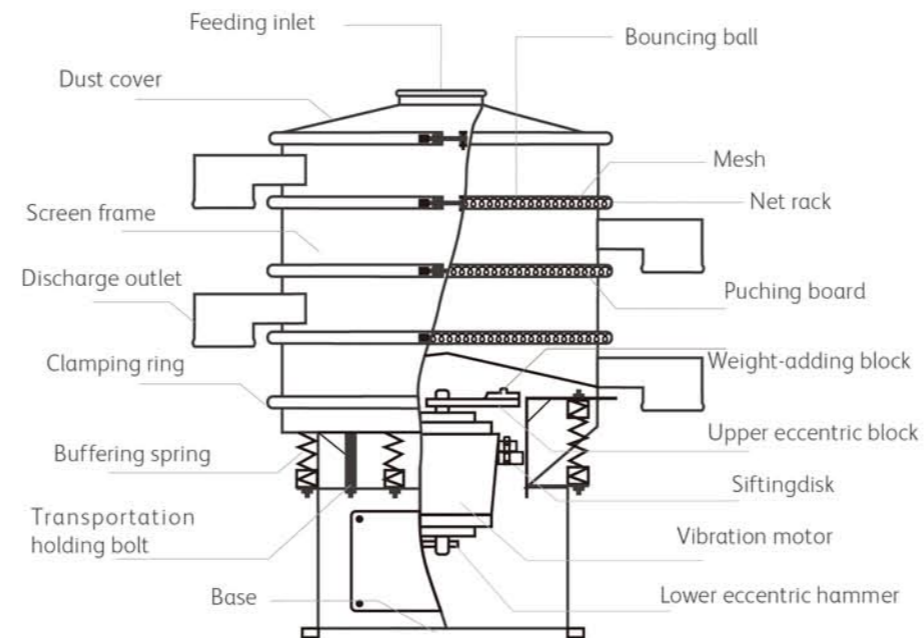
局长 申长雨 [Signature] [Red Seal]

第 1 页 (共 1 页)

» ZYD Vibrating Screen



Structure Illustration



Names of All Parts and Their Instruction

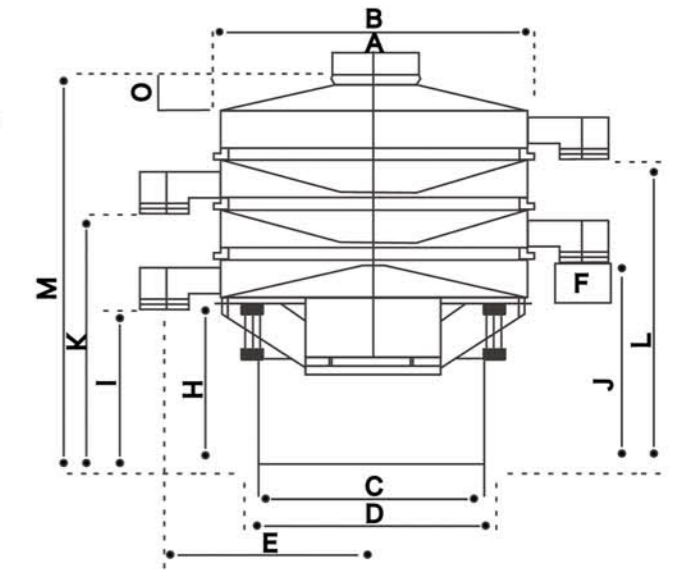
Tech Parameters

Model	Power(Kw)	Sieving iameter(mm)	Dimension L×W×H (mm)	Layer
ZYD-400-2S	0.18	320	580×580×560	1
			580×580×660	2
			580×580×760	3
ZYD-600-2S	0.25	550	800×800×680	1
			800×800×780	2
			800×800×880	3
ZYD-800-2S	0.55	750	900×900×780	1
			900×900×930	2
			900×900×1080	3
ZYD-1000-2S	0.75	950	1160×1160×880	1
			1160×1160×1030	2
			1160×1160×1180	3
ZYD-1200-2S	1.1	1150	1360×1360×980	1
			1360×1360×1160	2
			1360×1360×1360	3
ZYD-1500-2S	1.5	1450	1850×1850×1130	1
			1850×1850×1330	2
			1850×1850×1550	3
ZYD-1800-2S	2.2	1750	2200×2200×1360	1
			2200×2200×1460	2
			2200×2200×1680	3

Fitting



Size Indication



Size Instruction

Model	A	B	C	D	E	F	G	H	I	J	K	L	M
ZYD-400-1S	150	400	358	408	310	100	75	249	257	367			558
ZYD-400-2S	150	400	358	408	310	100	75	249	257	367	477		668
ZYD-600-1S	150	600	426	476	410	100	75	354	362	472			668
ZYD-600-2S	150	600	426	476	410	100	75	354	362	472	582		778
ZYD-600-3S	150	600	426	476	410	100	75	354	362	472	582	692	886
ZYD-800-1S	200	800	580	630	530	125	100	404	412	557			798
ZYD-800-2S	200	800	580	630	530	125	100	404	412	557	702		943
ZYD-800-3S	200	800	580	630	530	125	100	404	412	557	702	847	1088
ZYD-1000-1S	250	970	700	750	640	150	120	466	475	620			880
ZYD-1000-2S	250	970	700	750	640	150	120	466	475	620	765		1025
ZYD-1000-3S	250	970	700	750	640	150	120	466	475	620	765	910	1170
ZYD-1200-1S	250	1170	855	920	750	180	140	570	595	760			1045
ZYD-1200-2S	250	1170	855	920	750	180	140	570	595	760	925		1210
ZYD-1200-3S	250	1170	855	920	750	180	140	570	595	760	925	1090	1375
ZYD-1500-1S	250	1470	1050	1120	960	200	170	530	555	750			1090
ZYD-1500-2S	250	1470	1050	1120	960	200	170	530	555	750	945		1285
ZYD-1500-3S	250	1470	1050	1120	960	200	170	530	555	750	945	1040	1480
ZYD-1800-1S	300	1770	1360	1430	1030	200	200	618	640	835			1226
ZYD-1800-2S	300	1770	1360	1430	1030	200	200	618	640	835	1030		1420
ZYD-1800-3S	300	1770	1360	1430	1030	200	200	618	640	835	1030	1225	1615

Description

ZY series three-dimension vibrating screen is a kind of high precision powder screening machine, low noise, high efficiency, only 3-5 minutes to replace the screen, fully closed structure, and suitable for granular, powder and mucus material screening filter.

Feature

- High efficiency, refined design, durable, it can apply to any powders and mucilage screening.
- Replace the screen cloth easily, easy operation and cleaning.
- There is no mesh plug, no powder flying in the sky, screen mesh size between 5 to 500 mesh.

- Impurity and coarse material discharged automatically and can be continuous operation.
- Unique screen frame design, long life screen cloth.
- Small volume, moving easily.
- 5 layers can be reached, 3 layers are suggested.

Function



» ZYC Ultrasonic Vibrating Screen



Description

ZYC ultrasonic vibrating screen adopts advanced techniques high sophisticated screening equipment. It consists of ultrasonic producer and vibrating screen. It's an important breakthrough in screening efficiency. This sieving machine adopts advanced intelligent vibrating ultrasonic controller and has solved many problems caused by single frequency, truly realizing the reasonable combination of ultrasonic function and vibration sieve.

Functional principle

The function principle of ultrasonic vibrating screen is adding an ultrasonic energy transform device on the screen surface of 3-D vibro separator and filter.

This device can make the screen surface superpose ultrahigh frequency vibrational energy, so that it can keep clear of the mesh and achieve the ideal screen situation. Ultrasonic vibrating screen is usually used in screening superfine powder which the ordinary vibrating screen can not solved.

Application

As to the functional feature, it has reached the highest international level. It has prominent advantages in solving materials sieving problems such as high absorption, easy agglomeration, high static, high precision degree, light weight etc.

Feature

- 1 Can solve sieving difficulties such as high adsorption, easy clustering, high static, high precision, high density, light proportion, etc.
- 2 Effectively control the sieving granularity scale.
- 3 Realize the high precision sieving to achieve the best sieving effect
- 4 Screening precision can raise to 1-100%, the output can be raised to 0.5-10 times.
- 5 It can be used with single layer or multilayer.
- 6 A set of intelligent ultrasonic generator can be used with three controllers at the same time.
- 7 Self-cleaning function; 0-500m sieving, no-blocking sieving mesh, stable sieving efficiency.
- 8 Keep processed materials feature stable.

Advantage

- 1 The power can be less than 500um with more effective screening.
- 2 Increase production.
- 3 Scattered reunion thing.
- 4 Reduce the number of large particles.
- 5 In dosing or conveying process, reducing material and the container wall adhesions.
- 6 Ensure long-term clean screen.



Tech Parameters

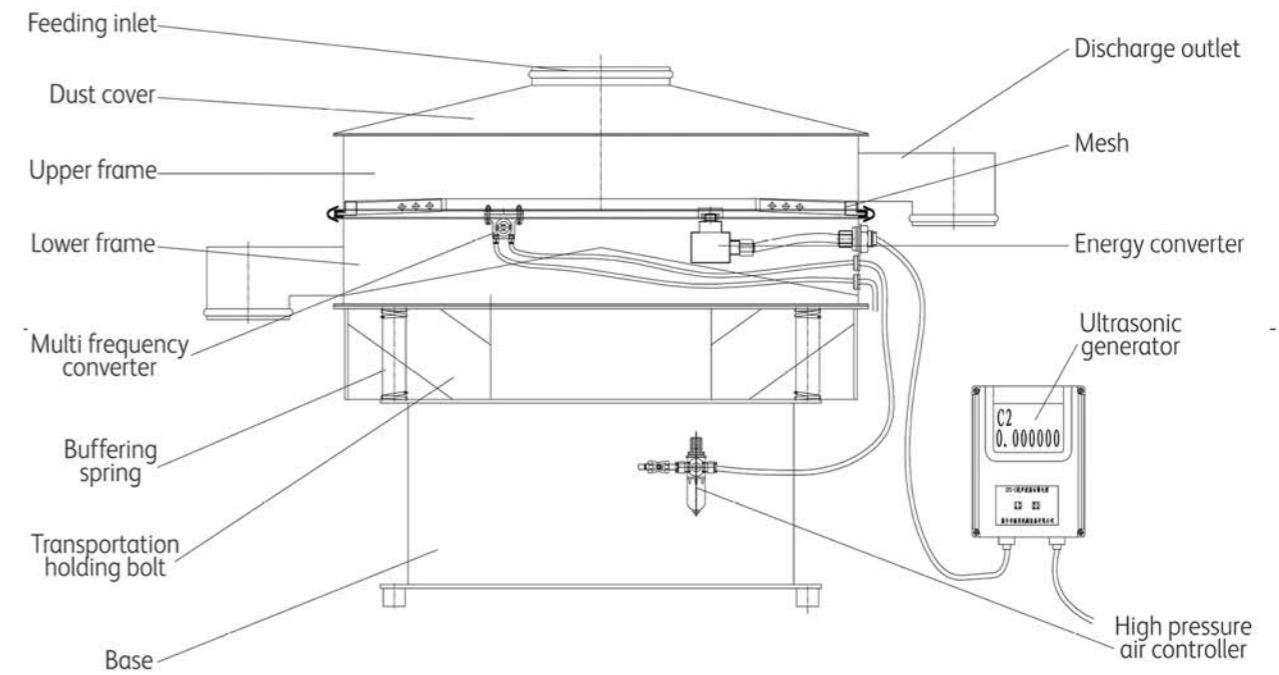
Model	Power(Kw)	Sieving Diameter(mm)	Dimension L×W×H (MM)	Layer
ZYC-400-1S	0.18	Φ320	580×580×560	1
ZYC-600-1S	0.55	Φ550	800×800×680	1
ZYC-800-1S	0.75	Φ750	900×900×780	1
ZYC-1000-1S	1.5	Φ950	1160×1160×880	1
ZYC-1200-1S	1.75	Φ1150	1360×1360×980	1
ZYC-1500-1S	2.2	Φ1450	1850×1850×1130	1
ZYC-1800-1S	2.2	Φ1750	2200×2200×1360	1



Field application



»ZYDP Multi Frequency Vibrating Screen



Names of All parts and Their Instruction

Description

The multi frequency screen makes the screen machine with two or more than two vibration sources to produce different vibration frequency, so that the screen machine produces different frequency and amplitude, and makes the movement phase angle between the materials changeable in the screening process. The screen machine is provided with a low frequency (24-48Hz) and the relative large amplitude of the excitation force, and multi frequency generator will produce a force with high frequency (190-210Hz) small amplitude acting on the screen, at the same time, the machine increases an ultrasonic frequency (36-38KHz) in the screening cloth. Three different frequency of vibration superposed and interacted, eliminating the sticky and electrostatic generation

of material, improving the acceleration of the screen material at the peak, so as to improve the screening efficiency and reduce the blocking hole, and improve the output and quality of the product. Very suitable for the screening of 1mesh to 500 mesh fine powder and ultra-fine powder industry.

Application

This machine uses the latest cleaning way at home and abroad. It can improve the capacity 5-10 times than ultrasonic cleaning. It is widely used in chemical, building, rubber, fossil oil, ceramics, foodstuff, medicine, cement, cast, metallurgy, mine, machinery, electron, fabricate industry etc.

Tech Parameters

(Model)	Power	Rated current	Max. Exciting force
400	0.18KW	0.75A	3000N
600	0.25KW	1.5A	5000N
800	0.55KW	1.68A	8000N
1000	0.75KW	1.9A	10000N
1200	1.1KW	2.6A	15000N

»»ZJS Pro-environment Vibrating Sieve



Description

Pro-environment vibrating sieve is one of precise powder sieving machine, low noise, high efficiency, need only 3-5 minutes to rapidly replace the screen, all closed structure. used for sieve particles, powder and mucilage.

Features

- 1 Balanced air pressure inside and outside, no dust and clean.
- 2 The sieving mesh can reach up to 500mesh.
- 3 The dust is claimed back to dust pocket preventing waste.

»»Pneumatic Vibrating Screen



Introduction

Pneumatic vibrating screen uses a low amplitude, high frequency pneumatic vibration wave (mechanical wave). Improve the efficiency of sieving ultra micro fission Especially, it's suitable for high value-added fine screening, fine powder sieving and high viscosity and high precision liquid filtration.

It is a new type of product which combine the pneumatic controller with vibrating screen. The air power can be converted into mechanical power

of screen net itself, making the material on the surface of the screen always stay in high frequent pulse, so as to restrain adhesion, friction, pancake, wedging. Such as screen blocking factors, thus solve the problems of strong adsorption, easy agglomeration, electrostatic, high precision, high density, light specific gravity and so on.

It makes the ultra micro powder sieving be no longer difficult.

» ZYSZ Linear Vibrating Screen



Description

Taking advantage of vibration motor exciter principle to make the material throw up and do straight-line motion on the screen. Match suitable mesh to reach sieving purpose. It fit for 0.074-6mm material, the max feeding size can not be more than 10mm. Widely used for abrasive, chemical, pharmacy, metallurgy, building material, food, carbon, fertilizer etc.

Working principle

The material have been conveyed into the sieving inlet by feeder. The material jump forwarder on the multilayer screen. Different size of material discharge from different outlets.

Advantage: Efficiency sieving, simple structure, maintenance easily, energy saving, low noise, seal well, environmental, longer life for screen.

Tech Parameters

Model	Sieving Diameter(mm)	Layer	Screen angle	Vibration Frequency (r.p.m)	Amplitude (mm)	Weight(kg)
ZYSZ-520	500×2000	1	0°-5°	1000	1-4.5	300
ZYSZ-520	500×2000	6	0°-5°	1000	1-4.5	580
ZYSZ-525	500×2000	1	0°-5°	1000	1-4.5	350
ZYSZ-525	500×2000	6	0°-5°	1000	1-4.5	720
ZYSZ-1020	1000×2000	1	0°-5°	1000	1-4.5	600
ZYSZ-1020	1000×2000	6	0°-5°	1000	1-4.5	1170
ZYSZ-1025	1000×2500	1	0°-5°	1000	1-4.5	680
ZYSZ-1025	1000×2500	6	0°-5°	1000	1-4.5	1350
ZYSZ-1030	1000×3000	3	0°-5°	1000	1-4.5	1700
ZYSZ-1030	1000×3000	5	0°-5°	1000	1-4.5	1950
ZYSZ-1040	1000×4000	3	0°-5°	1000	1-4.5	1850
ZYSZ-1040	1000×4000	5	0°-5°	1000	1-4.5	2100



Support customer design for **different diameters** of machine

» ZYFY Square Vibrating Sieve



- 4 Reinforced base ensure the equipment operation machine more balance, can also according to the actual site conditions the perching hook to meet customer's reform needs
- 5 Improve wire rope hanging structure, to avoid steel wire wear
- 6 Two or three decks screen frame design can be choosed.
- 7 Used for powder or granule feed screening and grade, can also be used for voidance of raw materials in feed factory,the grading of intermediate products after second smashing.

Description

This series machine is efficient screening machine which can meet the large capacity, high-precision requirements. It is widely used in chemical and metallurgical, mining, feed, food and other industries. Especially for heavy alkali, salt, resin, fertilizer, urea granule size, feed, reduced iron powder, zirconium oxide, ceramic, barite, etc.

Application

It has been designed for solving large granule urea problems. it is also widely used for chemical,metallurgy, mine,feeding,food industry.



Structure Dimension

Feature

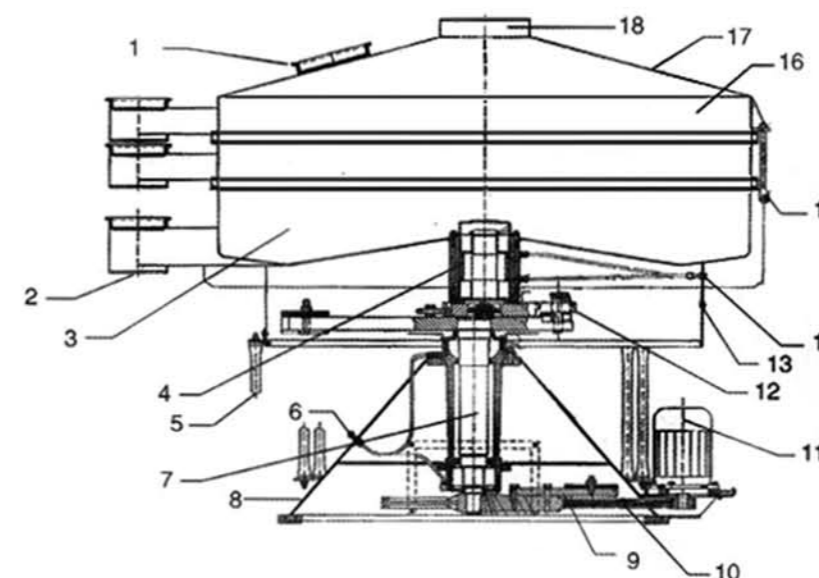
- 1 Good sealing, balance weight can provide slight vibration and low noise, environmental protection.
- 2 Combination of Circle, elliptic, linear motion, high screening effect .Suitable for various material screening

- 3 Equipped with automatic tension and automatic cleaning sieve net installation system which can make the screen mesh long service life and high efficiency , change the screen mesh conveniently.

Tech Parameters

Layer	Model	Size of screen surface Width×Length(mm)	Screen box stroke (mm)	Motor		A (mm)	B (mm)	C (mm)	D (mm)	Weight (kg)
				Power (kw)	Rpm					
1	ZYFY1000×2100	1000×2100	63.5	3.0	960	3285	962	1156	1200	980
	ZYFY1000×2500	1000×2500	63.5	3.0	960	2731	962	1168	1200	1000
	ZYFY1000×3000	1000×3000	63.5	3.0	960	4484	1035	1194	1251	1200
	ZYFY1500×2500	1500×2500	63.5	3.0	960	3460	1003	1708	1759	1380
	ZYFY1500×3000	1500×3000	76	5.5	960	4232	1362	1778	1892	1680
	ZYFY1500×3600	1500×3600	76	5.5	960	5098	1352	1956	2048	2410
	ZYFY1200×3600	1200×3600	76	5.5	960	5263	1327	2464	2556	2020
2	2ZYFY1000×2100	1000×2100	63.5	3.0	960	3473	1121	1308	1378	1400
	2ZYFY1000×3000	1000×3000	76	3.0	960	4575	1317	1270	1546	1840
	2ZYFY1500×2500	1500×2500	63.5	5.5	960	3728	1330	1781	1946	1910
	2ZYFY1800×3600	1800×3600	76	7.5	960	5305	1500	2256	2459	3880
	2ZYFY1500×3000	1500×3000	76	7.5	960	4765	1397	1956	2159	2780
	2ZYFY1500×3600	1500×3600	76	7.5	960	5365	1368	2032	2159	3180
3	3ZYFY1000×2100	1000×2100	63.5	3.0	960	4854	1422	1435	1549	2150
	3ZYFY1500×3000	1500×3000	76	7.5	960	4765	1391	1956	2159	3200
	3ZYFY1500×3600	1500×3600	76	7.5	960	4765	1391	1956	2159	3800
	3ZYFY1800×3600	1800×3600	76	7.5	960	5200	1500	2400	2500	4170
	3ZYFY2000×5000	2000×5000	92	11	960	5400	2000	2750	2810	5500

» ZYY Tumbler Vibrating Screen



- | | | |
|-----------------|----------------------------------|--------------------------|
| 1. Monitor | 7. Main shaft | 13. Protective plate |
| 2. Inlet | 8. Outlet | 14. Oiling pipe |
| 3. Bottom frame | 9. Main shaft clump weight | 15. Middle frame lockset |
| 4. Driven Shaft | 10. V type belt | 16. Middle frame |
| 5. Spring butt | 11. Driven motor | 17. Dust cover |
| 6. Oiling pipe | 12. Driven Shaft eccentric block | 18. Oiling inlet |

Working Principle

ZY Series tumbler vibrating screen is low-frequency vibration sieve, it imitates the artificial sieving.

The principle: Instantaneous motion as per radial displacement and circular motion synthetic along the displacement (Spiral motion). By adjusting eccentric distance to produce the non-linear

three-dimensional movement to make the material movement which is similar to manual operation movement for sieving purpose and get more ideal sieving efficiency match the spare parts. Suitable for round balls, cylindrical, flake and irregular shapes, plugging materials, fine sieving material etc.

Application

Widely used for chemical, pharmacy, food and spices, tea, feed, plastics, wood and plywood, metallurgy, rubber, fodder, fertilizer, sugar, salt, renewable industry.





Feature

- 1 Up to 5 times outlet compared than common sieving machine.
- 2 At most 6 Level separation.
- 3 Sieving efficiency is as high as 90% -95%.
- 4 When using the silicone rubber balls, ultrasonic and other high-performance mesh- cleaning device system, the sieve aperture will not be blocked.
- 5 Enclosed cleaning dust, safe operation; the acceleration is 4.5 times lower than common vibrating screen.
- 6 Noise <75 dB. Re-optimization is balanced, ground-based dynamic load is low.

Tech Parameters

Model	Diameter(mm)		Sieving area(m ²)	Inclination(°)	Power(kw)	Layer			
	Diameter	Effective diameter				Rubber ball cleaning	Drum brush cleaning	ultrasonic cleaning	Filter cleaning
ZYY-600	600	630	0.21	0-10	0.25	5	5	5	2
ZYY-1000	1000	930	0.66	0-10	1.5	5	5	5	2
ZYY-1200	1200	1100	0.98	0-10	2.2	5	5	5	1
ZYY-1600	1600	1340	1.81	0-10	4	5	5	5	1
ZYY-2000	2000	1340	2.80	0-10	4	5	5	5	1
ZYY-2400	2400	1740	4.15	0-10	5.5	5	5	5	1
ZYY-2600	2600	1940	5.31	0-10	5.5	5	5	5	1

» ZYZ Intermediate Frequency Vibrating Screen



Description

Intermediate frequency sieve is a kind of sieving equipment of international advanced level, developed by our company on the basis of carrying on the advantages of traditional screens and absorbing the outstanding technology

from abroad. Vibrating screen is widely used for grading and screening materials in the following fields: minerals, quarry, building materials, water conservancy and hydropower, transportation, chemical industry, smelting and so on.

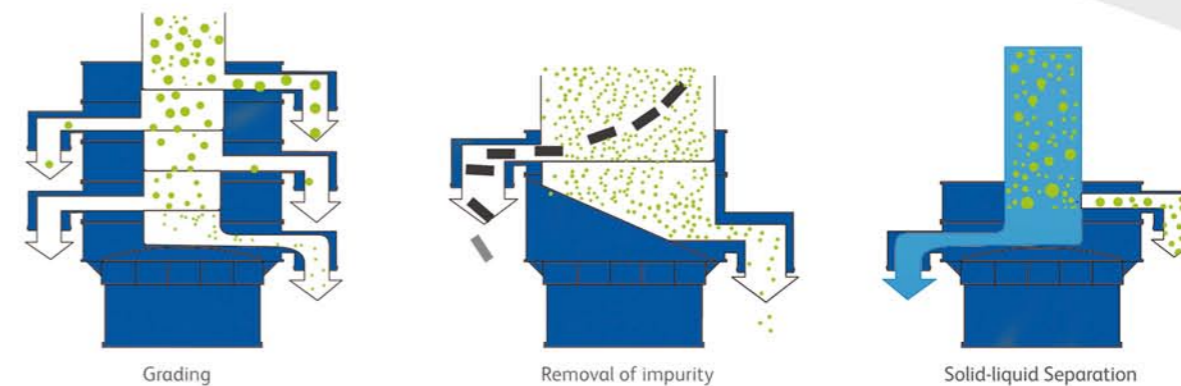
Features

- 1 Large processing capacity
- 2 Open design; observe the screening surface conveniently
- 3 Using new type screen frame—Z, which is special for Intermediate frequency sieve.
- 4 No deformable screen, use for long time, just need 3-5 minutes to change the screen.
- 5 Lower power consumption, long service life, easy to operate, facilitate to maintain.
- 6 Easy to be installed and maintained.
- 7 Balance blocks can be adjusted at any angle, and easy to replace the screen.

Tech parameter

Model	Power (Kw)	Sieving Diameter (MM)	Largest Vibration Force (KN)
ZYZ-800	0.25	760	8
ZYZ-1000	0.4	930	10

» ZYJ Larger Entrance Vibrating Screen



Tech Parameters

Model	Power(Kw)	Sieving Diameter(mm)	Dimension L×W×H (mm)	Layer
ZYJ-400-1S	0.18	320	580×580×660	1
ZYJ-600-1S	0.55	550	800×800×780	1
ZYJ-800-1S	0.75	750	900×900×930	1
ZYJ-1000-1S	1.5	950	1160×1160×1030	1
ZYJ-1200-1S	1.75	1150	1360×1360×1160	1
ZYJ-1500-1S	2.2	1450	1850×1850×1330	1
ZYJ-1800-1S	2.2	1750	2200×2200×1460	1

Description

ZYJ series are designed for you to easily observe materials processing with bigger materials inputs, the principle same as ZYD.

Feature

- 1 Round design, no dust pollution, no leaking liquid.
- 2 Structure is suitable for small volume and light heavy, easy to be installed and maintained.
- 3 Rapidly clear up each material and grain inside the slurry, the solid matter can automatically discharge.
- 4 Adjustable outlet, facilitate to replace the screen.

Application

The application same as ZYD, it is especially suitable for the filtration of slurry, glaze and pigment in ceramic industry.



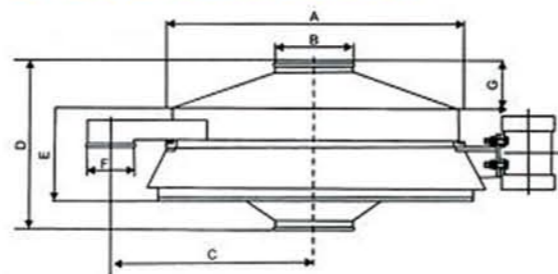
» ZYZP Direct Discharging Screen



Introduction

ZYZP direct discharging screen is a new and multifunctional screening machine, and using one horizontal motor as the source of vibration. Variety of adjustment ways for movement of materials on screen surfaces. Materials can be discharged directly.

Structure Illustration



Tech Parameters

Model	A	B	C	D	E	F	G
ZYZP-600	600	150	380	560	325	120	80
ZYZP-800	800	200	540	600	350	125	90
ZYZP-1000	970	250	640	640	350	150	100
ZYZP-1200	1170	250	700	700	400	180	120
ZYZP-1500	1470	250	760	760	440	200	120

» ZYQW Horizontal Airflow Screen



Working principle

The cylinder screen mesh of this device is placed inside the machine. The materials enter the net tube with airflow mixed and atomized after passing the screw conveying system; some of the materials are sprayed through the net and discharged from the fine stuff portal by the centrifugal force and cyclone propelling power, which are caused by the rotor vane inside the net

tube. Other materials which cannot cross the net, are discharged from the rough stuff portal along the net tube wall.

Application

The machine is available in various industries, such as metallurgy, mining, pharmacy, food, chemical engineering, metal powder and nonmetal powder etc.

Tech Parameters

Mode	Material	Apply
QWA18-65	Q235A SUS304	sieve 0 to 500 mesh
QWA30-85	Q235A SUS304	sieve 0 to 300 mesh
QWA40-100	Q235A SUS304	sieve 0 to 300 mesh
QWA50-130	Q235A SUS304	sieve 0 to 300 mesh

» ZY-200 Lab Testing Sieve



Lab testing sieve is made for the measure of particles size distribution and the determination of impurity content in solid and liquid, which is extensively used in scientific laboratories and quality inspection departments.

Tech Parameters

Model	Name	Unit	Date
1	Layers	Layer	1--8
2	Diameter	Mm	Φ200
3	Granularity	mm	0.038-3
4	Noise	dB	≤50
5	Input quantity (once)	g	≤200
6	Amplitude	mm	≤5

» ZY 450 Vibrating Screen



Application

Chemical industry:Coatings, printing ink, paste,paint, latex paint, aluminum slurry.

Food industry: starch, soybean milk, fruit juice, beverage, dairy, spices.

Other industries:slurry, pulp, waste liquid, liquid medicine of Chinese and western, etc.

Tech Parameters

Mode	Power (KW)	Sieving Dimension L×W×H(mm)	Screen net measure (diameter height)	Weight (kg)
ZY450SA	0.18	500×500×600	VB450 series sieve uses new type stainless steel net 488mm×135mm	40
ZY450SN	0.18	500×500×1000	VB450 series sieve use new type stainless steel net 488mm×135mm	48

»» Magnetic Liquid Traps



ZY Series Liquid Magnet Traps are designed for heavy duty, large volume liquid and semi-liquid line flow systems. They provide magnetic protection for liquid lines and processing equipments. They preserve product purity by removing small contaminants. So separators are ideal for liquid purification.

Magnetic Bars containing high intensity rare earth neodymium iron boron magnets are housed with a 304

stainless steel vessel. Magnetic configuration ensures maximum exposure of contamination to the high intensity tubes without impeding liquid flow.

With its flange or quick release clamp top access design, the Trap is easy to be cleaned. Simply remove the top, lift out the magnet cage, wipe clean and reinstall.

Tech Parameters

Model	performance	magnetic bar quantity	Texture of material	magnetic bar dimension (mm)
FNS-GD-159	10000GS	7	304#/316#	025*190
FNS-GD-219	11000GS	10	304#/316#	025*190
FNS-GD-250	12000GS	10	304#/316#	032*290
FNS-GD-300	10000GS	13	304#/316#	025*340

»» Magnetic Drawer



ZY Series Magnetic Drawer are ideal for removal of fine iron and paramagnetic contamination from a range of dry free flowing products such as sugar, grain, tea, etc. They are totally constructed of 304 stainless steel, consisted of a row or most commonly rows of round magnetic tubes that are assembled into drawers.

The external bar magnet is usually 304 or 316 model (used for high corrosion resistance and cleanliness of

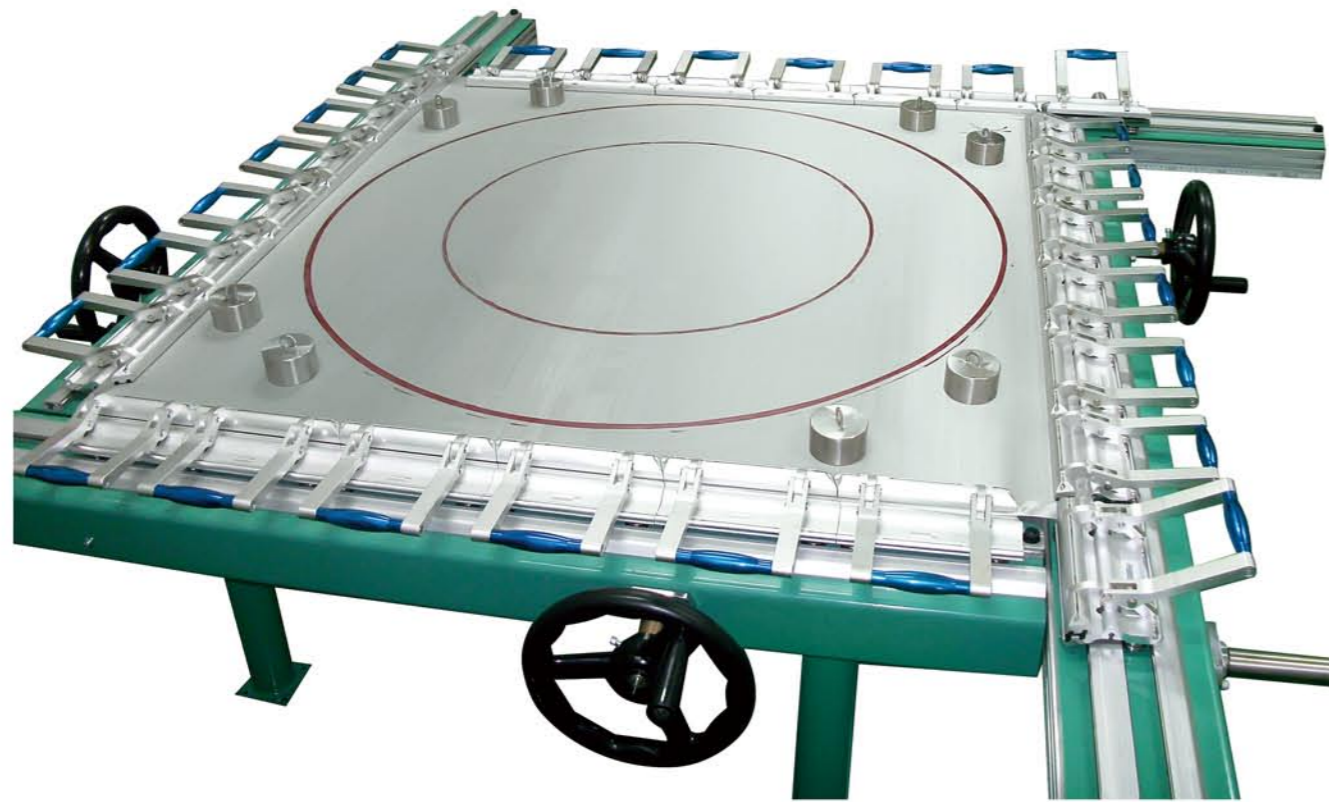
the occasion) seamless stainless steel pipe, the internal material is rare earth permanent magnet ,ferrite and other magnetic materials.

The conventional working temperature to bar magnet is 80 , we can provide the bar magnet with Max. operating temperature up to the 350 as requested.

Tech Parameters

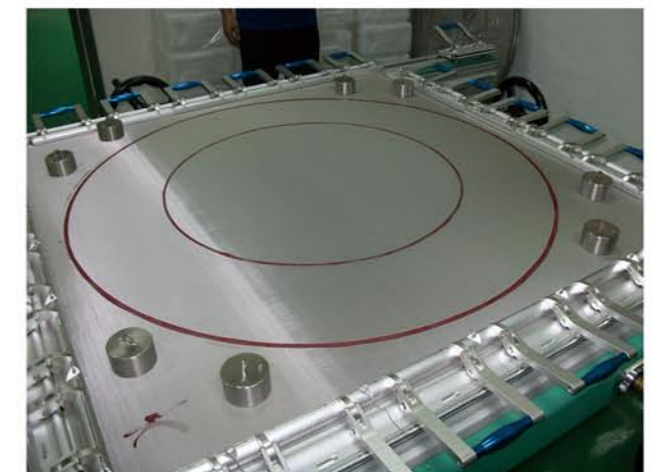
Model	height(mm)	length(mm)	width(mm)	magnetic bar quantity
MD2020	200	208	205	4
MD2525	200	208	255	5
MD3030	200	308	305	6
MD3535	200	358	355	7
MD4040	200	408	405	8
MD5050	200	508	505	10

» Stretch Mesh Machine



Tech Parameters

name	AD-UCS-1.5mx1.5m(Precision double guide rail)
material	steel aluminum profile
aluminum profile standard(cm)	10*6.5
Square plate width(cm)	15.5
stretch mesh max length (m)	1.5*1.5
stretch mesh max route(cm)	9
stretch mesh minimum length (m)	1.1*1.1
max tension(n)	30-35
working pressure(kPa)	500
mesh clamp	After oxidation treatment, high hardness.using thick and thin rubber strip together, the magnitude of the clamp is higher,accuracy is higher than other manufacturer
color processing	The color is baking varnish,not spray powder
cylinder	four standard cylinder



» ZDP Vibrating Table



ZDP series vibrating table can be widely used in metallurgy, mold, food, Chemical and Building material etc

This is designed to settle and compact dry bulk materials in various types of containers. Their application provides either a sizeable increase in the net weight of the container or reducing in the container size with subsequent savings in shipping and storage space.

Tech Parameters

Model	Aera(square meter)	Powder(kw)	Amplitude(mm)	Weight(kg)
ZDP-500×500	0.25	2×0.25	2-5	300
ZDP-1000×1000	1	2×0.4	2-5	600
ZDP-1200×1200	1.44	2×3	2-5	1200
ZDP-1500×1500	2.25	2×3	2-5	2000
ZDP-3000×3000	9	6×1.5	2-5	3000

» DY Portable Belt Conveyor



Description

DY movable belt conveyor is a kind of equipment mainly used for engineering project. It is easy to move, and mainly used for the occasion where the loading place is changeable easily, for eg. port, yard, coal spot, garage, construction site and sandstone spot or agriculture spot.

It is usually used for short distance transportation and bulk materials as well as materials in article less than 100 KG.

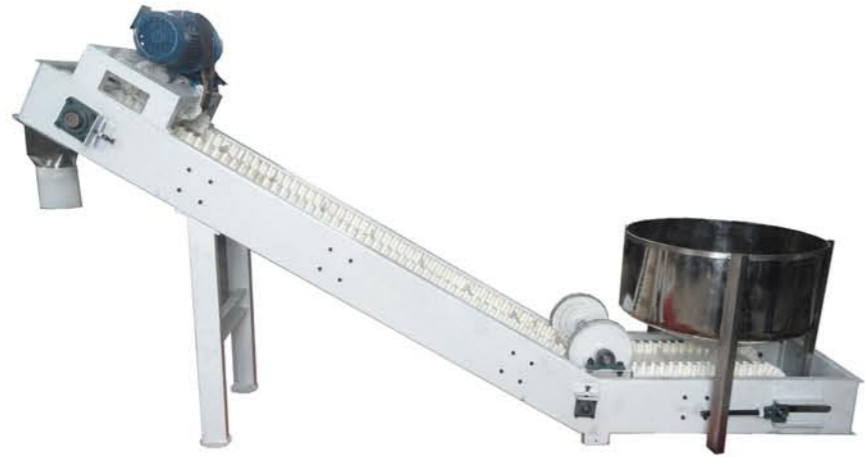
There are two types for the machine:

- 1 able to be lifted up
- 2 unable to be lifted up. There are two forms of wheel, one gas wheel, the other steel wheel. The angle can be adjusted for the machine body over 10m.

Tech Parameters

Model	Tape width (mm)	Conveyor length (m)	speed(m/s)	Capacity			Lifting height (m)	Row wheel structure
				Parallel roller		Grooved roller		
				pic/h	t/h			
DY4031	400	3	Flat belt idlers 0.8 Trough - in gidlers 1.6	800	40	80	1.2	
DY4051		5						
DY4071		7						
DY40101		10						
DY5051	500	5		1400	70	145	1.6	
DY5071		7						
DY50101		10						
DY50151		15						
DY6551		5						2600
DY6571	7							
DY65101	10							
DY65151	15							
DY65151	15							

» Z-shape conveyor



Description

Z-shape conveyor is gluing freely retractable rubber waveform vertical "skirt" on both sides of flat-shaped rubber conveyor belt ,and sticking with a certain strength and elasticity of the crossbeam between the skirts to composite box shaped bucket, so that the material is continuously transported in the bucket. Conveying angle is 0 ~ 90 ° (70 ° or less is best), Currently, belt width of Z-shape conveyor we mainly produce are: B500, B650, B800, B1000, B1200, B1400, B1600.

Description

Z-shape conveyor can be widely used in coal, food, building materials, chemicals, hydro-power and metallurgical etc. It conveys all kinds of bulk materials which are in condition of the ambient temperature is within the range of -19 ~ + 40 , transporting bulk specific gravity is within 0.5-2.5t / m³. Conveying high temperature, acid-base materials, oil or organic solvents and other ingredients requires the use of special sidewall conveyor belt material, our company can customize special large angle belt conveyors according to your needs.

Tech Parameters

Belt width (mm)	Baffle height (mm)	30°		45°		60°		75°	
		Capacity (m ³ /h)	Power (KW)	Capacity (m ³ /h)	Power (KW)	Capacity (m ³ /h)	Power (KW)	Capacity (m ³ /h)	Power (KW)
500	120	52.8	2.85	36.5	1.86	26.6	1.32	19.8	0.98
	160	77.6	3.97	53.3	2.6	39	1.85	29	1.35
650	120	105	5.44	76.3	3.57	56.2	2.56	41.6	1.86
	160	133	6.99	96.6	4.59	71.2	3.28	52.6	2.38
800	160	195	9.8	159.8	7.07	117.6	5.07	86.5	3.66
	200								

» Screw Conveyor



Introduction

It is used to convey and stir materials of powder, granular or small block in industry, medicine, food and environment protection industries and can control the quantity of flow of materials by adjusting rotate speed.

The product can feed materials to the next working procedure evenly, in the drive unit the electromotor drives reducer , pass on spiral axis by coupling , under the action of spiral blade the materials were outputted evenly while the materials go into inletting.

Tech Parameters

Type	Conveying Height	Pipe Diameter	Power
ZY-110-(M)	1-3.5	110	1.1
ZY-133-(M)	1-3.5	133	2.2
ZY-141-(M)	1-3.5	141	2.2
ZY-168-(M)	1-4.0	168	3
ZY-219-(M)	1-4.0	219	3

» Bucket Elevators



Introduction

DTG series bucket elevator, feeder, feeding machine is used for perpendicular transporting the grain, powder and disperse materials, and also suitable for the oil, animal feed and chemical industry, etc. The model's construction is tightly packed, established the machine which will make the machine dirt the machine, machine the head, promote tube three all with the machine proceeding the valid connect, convenient for gearing adjust with support to maintain, spread to move dependable. First runner adoption packs gum craft, enlarges the coefficient of friction, and increases to spread and move the efficiency.

Tech Parameters

Model	DT160				DT 250				DT 315				DT 400				DT 500			
	Q	H	Zd	Sd	Q	H	Zd	Sd	Q	H	Zd	Sd	Q	H	Zd	Sd	Q	H	Zd	Sd
Transfer amount (m³/h)	5.4	9.6	9.6	16	12	22	23	35	17	30	25	40	24	46	41	66	38	70	58	92
Bucket width (mm)	160				250				315				400				500			
Bucket volume (L)	0.5	0.9	1.2	1.9	1.3	2.2	3	4.6	2	3.6	3.8	5.8	3.1	5.6	5.9	9.4	4.8	9	9.3	15
Bucket clearance (mm)	280		350		360		450		400		500		480		560		500		625	
Belt width (mm)	200				300				400				500				600			
Bucket speed (m/s)	1.4				1.6				1.6				1.8				1.8			
Block material (mm)	25				35				45				55				60			

» ZCS series Spiral vertical vibration hoist



ZCS series Spiral vertical vibration hoist can convey all granular, massive, powder (less viscosity). Widely used in mining, metallurgy, building materials, chemicals, rubber, pharmaceutical industries etc, while convey the material this machine can also dry or cool the material.

By the principle of vibrating motor asymmetry, two motors reverse operation while generating a vibration couple, by damping spring vibration, the material referred to a certain height from the horizontal.



Tech Parameters

Model	CS-1250	CS-2000	CS-3500	CS-4500	CS-6000
capacity	0.3	0.6	3	4	2
conveyor height (mm)	1250	2000	3500	4500	6000
Spiral groove diameter (mm)	220	321	631	631	503
Working frequency (times/min)	1500	1500	1000	1000	1000
Power (kw)	2x0.1	2x0.2	2x0.75	2x1.5	2x1.5
Voltage (v)	380	380	380	380	380
Rated current(A)	2x0.4	2x0.8	2x2.2	2x4.1	2x4.1
amplitude(mm)	-4	-4	-4	-4	-4

» ZKS Pneumatic Vacuum Conveyor



Description

The ZKS Pneumatic Vacuum Conveyor consists of material container, pipeline, vacuum conveyor, control system and so on. The max distance to convey is 30m in height or 90m in length and the max conveying capability can reach 18 t/h.

Feature

- 1 Using compressed air as primary energy sources.
- 2 According with GMP standard.
- 3 Solving the stratification of powder and granules.
- 4 The filters made of Ti will never be jammed and be abraded.

- 5 Eliminate the static electricity.
- 6 Made of nontoxic and corrosion resistant materials.
- 7 Leakage free capsule, to prevent cross contamination.
- 8 Materials are not adhering to the inner surface of the conveyor.
- 9 Intelligent control and high automation.
- 10 Modular structure, easy to clean and dismantle.
- 11 Small and light ,easy to install.

Application

The powder pneumatic conveyor is new product which is developed by absorbing the similar product from abroad. At present, it is the ideal feeding equipment which is used for transporting the powder material, granular material and powder & granular material or feeding the material directly into the mixer.

Tech Parameters

Model	Capacity(kg/h)	Air consume(L/Min)	Air Pressure(Mpa)	Dimensions Size
ZKS-1	350	180	0.6	φ140*560
ZKS-2	700	360	0.6	φ220*720
ZKS-3	1500	720	0.6	φ290*850
ZKS-4	3000	1440	0.6	φ420*1150
ZKS-5	6000	2880	0.6	φ4200*1150
ZKS-6	9000	4320	0.6	φ4200*1350

» GZ(V) Electro magnetic vibrating feeder



GZV Electro magnetic vibrating feeder

GZ(V) Series Magneto-type Vibrating Feeder is widely used in mining, metallurgy, coal, building materials, light industry, chemicals, Agriculture industries for feeding the bulk, granule and powder materials from the warehouse or hopper into the accepting device evenly and continuously, such as belt conveyor, hopper conveyor, sieve equipment ,crushing machine and grinder etc. It can be also applicable for automatic batching and quantitative packing and achieve the automatical production by automatic control.

Tech Parameters

Model	Feeding ability(t/h)	Maximum number of particles(mm)	power(w)	amplitude(mm)	weight(kg)
GZ1	5	50	60	1.75	75
GZ2	10	60	150	1.75	155
GZ3	25	70	200	1.75	225
GZ4	50	100	450	1.75	460
GZ5	100	150	650	1.75	656

Model	Capacity(t/h)	Particle Size Accepted(mm)	Vibration frequency (time/min)	Amplitude (mm)	Power (Kw)	Total weight(Kg)
GZV1	0.1	13	3000	1.5	0.005	4
GZV2	0.5	20	3000	1.5	0.008	7
GZV3	1	25	3000	1.5	0.020	12
GZV4	2	30	3000	1.5	0.025	18
GZV5	4	40	3000	1.5	0.030	27

» ZG Vibrating Feeder



ZG vibrating feeder adopts linear vibrating feeding and the whole-base structure. Through the stepless adjustment the angle of eccentric block, you can control the vibrating strength conveniently and the amounts of feeding. It is steady vibrating, reliable working, flexible adjustment, easy installment and so on. It is efficient to reduce the working cost and the pressure of workers, so it is the perfect machine as the continual and uniform feeder for stone crusher.

We always offer our machine on the base of the result from our test basis, the feedback from our clients, and

the research from our R&D, so we can guarantee the quality and function of our machine.

We have more than 160 excellent and diligent workers and based on the advanced equipment so we can deliver the order on time and can meet the urgent requirements on terms.

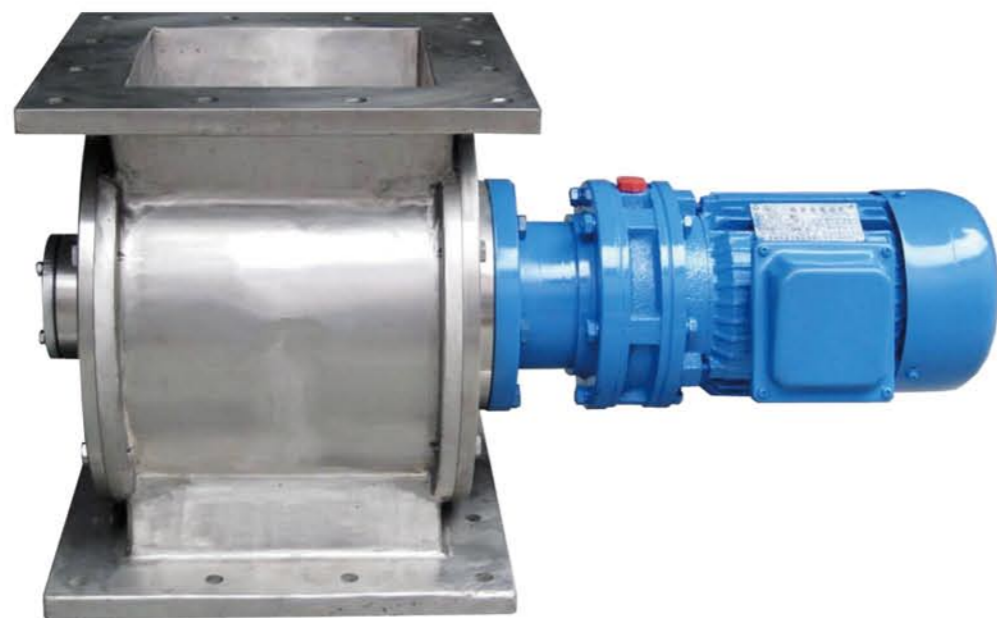
We have many high quality installers: they are ready to serve you all the time. We have the best after-sale service, based on these terms , we are developing all the time and our scale is enlarging gradually.

Tech Parameters

Model	Feeding ability(t/h)	Number of particles(mm)	power(kw)	Feeding trough size(mm)	weight(kg)
ZG30	15	120	0.18*2	300*1000*160	110
ZG40	30	120	0.25*2	400*1200*160	155
ZG50	50	120	0.4*2	500*1200*160	190
ZG60	80	180	0.75*2	600*1800*180	410
ZG70	100	180	1.1*2	700*1800*200	440

The length of feeding trough can be designed as your required

» Rotary Vane Feeder



The Rotary vane feeder is used for continuous and even feeding of dry materials in the form of powder or small particles from the upper bin into the next piece of equipment. It is an auxiliary conveyor device. It is widely used as feeding equipment for a materials system in cement, building materials, chemicals, metallurgy and light industries.

Tech Parameters

Model	Capacity m ³ /h	Vane rotating Speed (r/min)	Feeding Size (mm)	Motor model	Motor Power (kw)	Motor rotating speed (r/min)
YJD-200*200	7	34	200*200	BWD18-43	1.1	34
YJD-200*300	10	34	200*300	BWD18-43	1.1	34
YJD-300*300	23	34	300*300	BWD18-43	1.1	34
YJD-300*400	31	34	300*400	BWD18-43	1.5	34
YJD-400*400	53	34	400*400	BWD22-43	3	34
YJD-400*500	67	34	400*500	BWD22-43	3	34
YJD-500*500	106	34	500*500	BWD22-43	4	34

» Double-Spiral Conical Mixer



Conical mixer is a kind of particle mixing equipment which is new, high efficiency, high precision, it is widely used in chemical, pesticide,

dye, medicine, food, feed, petroleum, metallurgy, mining and other industries of various mixed powder particles.

Tech Parameters

Model	DSH-0.3	DSH-0.5	DSH-1	DSH-1.5	DSH-2	DSH-3	DSH-4	DSH-6	DSH-8	
Volume(m ³)	0.3	0.5	1	1.5	2	3	4	6	8	
Load factor	0.6	0.6	0.6	0.6	0.6	0.6	0.6	0.6	0.6	
Capacity t/h	0.3-1	0.5-1.5	2-2.5	2-4	2.5-5	3.5-8	5-10	7.5-15	10-12	
Power (kw)	A	3.55	3.55	4.55	4.75	6.05	8.05	12.5	16.5	20
	B	2.2	3	4	5.5	5.5	7.5	11	15	18.5
Particle size(mesh)	20-450									
Mixing uniformity	relative deviation<1.5%									
revolution	2									
rotation	A	143			57			70		
	B	143			57					
Max diameter(mm)	930	1130	1500	1633	1830	2040	2250	2548	2780	
Weight(kg)	550	600	1200	1350	1500	2300	2520	3160	3600	

» Horizontal Mixer



Horizontal biaxial ribbon mixer stirs dry materials, powder, for the purpose of uniform mixing. When stirring, the material does complex movement by two opposite direction of the rotor movement, biaxial blade makes materials rotate along the machine drive slot wall in clockwise and anticlockwise directions, near the axis, the material do the axis of rotation, axial pushes from inside to both sides, the outside spiral does axis of rotation with the material close to the side, axial pushes from both sides to inside, so that cause convection circulation, shear mixing, materials can complete rapid mixed in a relatively short time.

Tech Parameters

Model	Power(kw)	Rotate Speed(R/min)	Dimension(mm)	Weight (kg)
ZHY-0.3	3	41	2300×680×1060	750
ZHY-0.5	5.5	41	2900×780×1240	1000
ZHY-1	11	33	3200×1000×1400	1800
ZHY-2	15	33	3860×1200×1650	2200
ZHY-3	18.5	33	4320×1300×1900	3200
ZHY-4	22	28	4600×1400×2000	4000
ZHY-5	37	28	4850×1500×2020	4650
ZHY-6	37	22	5400×1560×2200	6280
ZHY-8	45	22	5100×1720×2420	8500
ZHY-10	55	19	5610×1750×2360	9300
ZHY-15	90	17	5820×2000×2900	11000
ZHY-20	110	11	6060×2630×3160	13500

» WN Grinder



Description

Universal grinder (stainless steel mill) is suitable for the crushing of materials in pharmaceutical, chemical, food and other industries. Not suitable for grinding High oil content (such as sesame, walnut, Gua Ziren, rapeseed) of viscous material, because of the high oil content and viscous material easy to plug the screen.

Tech Parameters

Model	Material	Voltage(V)	Power (KW)	Speed	Fineness (Mesh)	Yield(kg/h)	Size(mm)	Weight(kg)
WN-200	304	220/380	2.2	4200	10-120	10-120	480X520X1040	75
WN-300	304	380	5.5	4200	10-120	30-200	750X600 X1260	180
WN-400	304	380	7.5	4200	10-120	50-300	780 X700 X1350	260
WN-500	304	380	11	4200	10-120	70-500	800 X900 X1550	320

» Z Type Bucket Elevator



Description

Z type elevator is applied for elevation of granular stuff in grain warehouses, grain processing factories, feed processing factories, food processing industry, etc. The Z type Elevator is popular for granular materials bulk conveying ascension, such as beans, chips, peanut, sweets, dried fruits, vegetables, chemicals and many other granules.

Features

- 1 The bucket elevator and electronic metering scale shall be used together. Control circuit is used to control the position of the material, realizing automatic feeding and stopping function.
- 2 The elevator can be made of stainless steel and carbon steel according to the customer choice.

Tech Parameters

Available height(m)	Conveying capacity(m ³ /h)	Power (KW)	Speed	Voltage(v)
2-8	3-20	0.75-5	adjustable	240/380/415/440/460

» DCS-25 quantitative packing machine



Description

DCS-25 quantitative packing machine was mainly composed by host machine, weighing device, PLC and hoist, etc. The whole machine were made by Carbon Structural Steel. Packing machine spiral was designed by removable assembly, it is convinient for clean up the equipment after work.

Feature

- 1 PLC Controlling Meter with display screen
- 2 Use cylinder to control blanking, there are three types : Big, Middle, Small type cylinder.
- 3 Save the shift output, daily output and accumulated output automatically.
- 4 Infrared sensor, dropping the materials with screw, more energy saving.

Tech Parameters

Model	Weighing speed	Weighing range	Accuracy	Supply voltage	Power	Air pressure	Consumption	Running time	Environment temperature
DCS-25	2-4 bags per minute	10-50kgs per bag	±25g	AC 380V	2.2KW	0.4-0.65Mpa	0.4N m3/min	8000 hour per annual	-10°-40°

Application



Ceremic liquid



Titanium Dioxide liquid

Material of building



Material of lithium battery



Urea



Chemical powder



Metal powder



Slurry liquid

Quartz sand



Spices powder